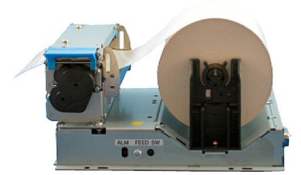




80 mm horizontal ticket printer to integrate into kiosks and information points, industrial solutions and precision machinery.

Its compact size, higher printing speed, resolution as well as its 80 mm auto-cut presenter make the NP-3511 a very competitive ticketing printer for horizontal mounting installations.

Prints with 16 gray scale gradation.



### TECHNICAL SPECIFICATIONS

**Direct Importer:** Grupo EOS Ibérica

**Interface:** Dual Serial (RS232C) and USB 2.0.  
**Operating voltage:** DC 24V.  
**External dimensions:** 127(W) x 150(D) x 75(H)mm  
**Weight:** Approximately 500 g.

**Options:**  
**Power supply:** YS-48.  
**Bezel:** BEZ-220, BEZ-221 (with paper detection sensor) BEZ-320 (with blue or red LED).  
**Large paper roll holder:** b  
**Presenter:** NPT-306.

### OTHER TECHNICAL DATA

#### GENERAL INFORMATION:

**Anti-jam cutter.**  
**Operating temperature:** -20°C to +60°C.  
**Paper thickness:** 65 - 150 microns.  
**Printing method:** Direct thermal.  
**Print speed:** max. 200mm/s.  
**Number of printing dots (dots):** 576.  
**Paper width:** 65 / 70 / 80 / 82.5 mm (adjustable).  
**Print width:** 72 mm.  
**Paper roll diameter:** 83mm.  
**Paper roll thickness:** 65-150 µm.  
**Cutting method:** Total and partial cutting (selectable command).  
**Print head life:** 100 km.  
**Bar-code:**  
 PC-A, UPC-E, EAN(JAN-13), EAN(JAN-8), CODE39, ITF, CODABAR, CODE128, QR code (model 2) / PDF417.  
**Drivers:** Windows ®XP / Vista / 7 / 10 / CE 6.0, Linux (CUPS).

### I/O PORTS



Front



Rear

### BEZEL OPTIONS



BEZ-220/221/230/231



NPT-306



UPH-LA

### MOST COMMON APPLICATIONS

- > Banking applications.
- > Sports betting.
- > Parking.
- > Gas stations.
- > Retail.
- > Transportation.
- > Vending.

### PRODUCT VALUES

- > Compact format.
- > Robust, reliable design.
- > Head opening for easy handling.
- > 16 gray scale.
- > 2D barcode.

### SOME SUCCESS STORIES

- > Kiosks for shift management
- > Unattended kiosks.

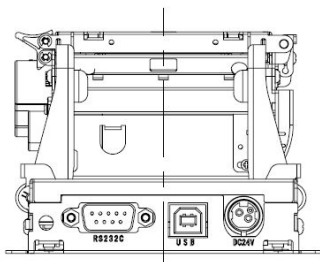
### ALTERNATIVE REFERENCES

- > e80 NP3411
- > e80 MS-V

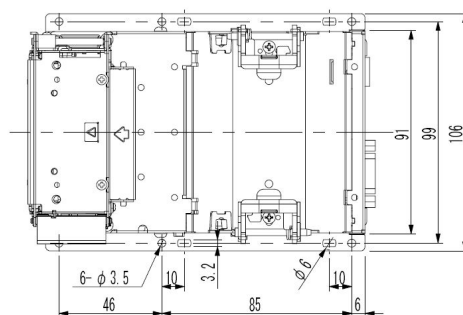
### CERTIFICATIONS



### CONNECTIONS



### DIMENSIONS



### DIMENSIONS

