



360° DISINFECTION OF PEOPLE

This safety and disinfection arch integrates all types of dispensers; gel, gloves and boot swabs. Individual temperature control module with facial recognition.


The eArco is designed for the entrance and exit of public spaces or companies that require extreme security and hygiene. When passing through the arch, people's clothes, hands and feet are disinfected, in addition to knowing their body temperature, so the risk of contagion is reduced to a minimum.



PROFILE PRODUCT

Manufacturer: Grupo EOS Ibérica
Origin: Manufactured and assembled in Spain.
Production:
 > 4 weeks (estimated time).
Material:
 > 1.5/ 3 mm carbon steel sheet.
Flanges/Inner fastenings:
 > Galvanised sheet metal.
Finish:
 > High resistance epoxy paint.
Watertightness and sealing:
 > IP42.
Dimensions: > 2269x1212x1000 mm:
 > 2269x1212x1000 mm.
Structure weight:
 > 90 kg.
Use:
 > Indoor.

STANDARD SPECIFICATIONS

Connections:
 > Internal terminal strip with I/O switch.

Structure colour  Textured or plain.

Colour of the front   RAL 003/9007 plain.

OPTIONAL COMPONENTS

Personalisation/Customisation:
 > Cut vinyl/digital image.
 > Airbrushing or multicolour Graffiti.
 > Industrial painting in various RAL Colours.

OPTIONAL ADAPTATIONS

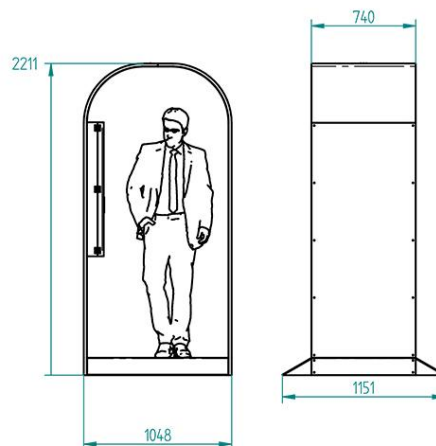
Dispensers:
 > Gel
 > Gloves
 > Masks
 > Tights

Devices:
 > Thermal camera with facial recognition

PRODUCT VALUES

> Safety and security.
 > Prevention of contagion.
 > Hand disinfection.
 > Body temperature control.
 > Automatic dispenser.
 > No contact.

PRODUCT SIZES AND PRODUCT VERSIONS



MOST COMMON APPLICATIONS

> Embedded Solutions.
 > Identification.
 > Self-Service Applications
 > Access Control.
 > Clinical support.
 > Exit and entry control.
 > Textile testers.

ALTERNATIVE REFERENCES

MOST COMMON SECTORS

> Tourism, hotels and catering.
 > Education and health.
 > Trade and commerce.
 > Textile.
 > Industry.
 > Health.
 > Public administration (eAdministration, official bodies, corporations).