

Embedded Serie

Box to sensor cities

Customisable / Outdoor



TECHNOLOGY AT A REDUCED SIZE. This metal box is designed to house all types of technology inside. Guaranteeing maximum protection against external agents.

It has a front door and two security locks. It can be installed anywhere. Designed to sensorise cities and turn them into Smart Cities.

In addition, the eCabinet can be customised in any colour from the RAL range and/or with cut vinyl, digital image and fretwork to adapt it to the client's corporate image.



PRODUCT PROFILE

**Manufacturer:** Grupo EOS Ibérica.  
**Origin:** Manufactured and assembled in Spain.

**Production:**  
> 4 weeks (estimated time).

**Material:**  
> 1.5 / 5 mm AP2 steel sheet.

**Flanges/Interior fastenings:**  
> Galvanised sheet metal.

**Finish:**  
> High resistance epoxy paint.

**Watertightness and sealing:**  
> IP65.

**Dimensions:**  
571x406x213 mm.

**Structural weight:**  
15Kg.

**Use:**  
> Outdoor.

STANDARD SPECIFICATIONS

**Accesses:**  
> 1 Door with two security locks.

**Connections:**  
> Internal terminal strip with I/O switch.

**Structure colour** White 9003 smooth.

OPTIONAL COMPONENTS

**External connections:**  
> RJ45/IEC/ I/O switch /Wifi antenna.

**Electrical panel:**  
> Terminal, circuit breaker and differential.  
> Power supplies 5/12/24v.

**Uninterruptible Power Supply System:**  
> UPS 6 sockets/15 min.

**Personalisation/Customisation:**  
> Cut vinyl/digital image.  
> Airbrushing or multicolour Graffiti.  
> Industrial paint in various RAL Colours.

OPTIONAL ADAPTATIONS

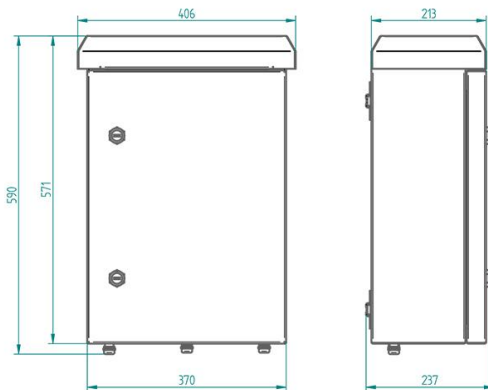
**Tecnología:**  
> Cámara de seguridad  
> 5 G  
> Sensores inteligentes

**Sistema de refrigeración:**  
> Ventilación forzada.

PRODUCT VALUES

- > For hanging on any wall.
- > Installation feasibility in confined spaces.
- > Vandal-proof protection.
- > Easy to customise with digital image or cut vinyl.
- > Front door for installation/maintenance.

PRODUCT SIZES AND PRODUCT VERSIONS



MOST COMMON APPLICATIONS

- > Embedded Solutions.
- > Sensorisation.
- > Identification.
- > Self-Service Applications.
- > Access Control.

ALTERNATIVE REFERENCES

- > eControl.
- > eMural.

MOST COMMON SECTORS

- > Tourism, hotels and restaurants.
- > Sports and leisure.
- > Education and health.
- > Logistics and transport.
- > Museums and libraries.
- > Public administration (e-administration, official bodies, corporations).
- > Communication, advertising and marketing.

SUCCESS STORIES

DETAIL

SUCCESS STORIES

DETAIL

