

Panel PC Serie

Fanless Industrial Computers

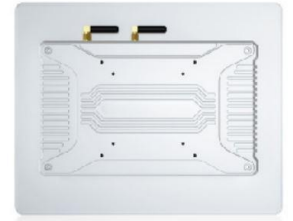
Industrial Components



Elevation

Touch pc panel series for medical use in different sizes: 17" / 17.3" / 19.1" / 21.5". Made of high precision aluminium alloy. Processor 6th generation i5 6200u. IP65 rated front. Dustproof and waterproof with capacitive touch. 12v - 36v voltage.

Its EN60601-1 2006 and GB9706 certifications qualify it as a safe terminal to operate efficiently and stably in sanitary environments.



Back

TECHNICAL SPECIFICATIONS

OTHER TECHNICAL DATA

PUERTOS I/O

- 17" Panel**
- Native resolution: 1280x1024
 - Contrast: 1000:1 / Brightness: 350cd/m2
 - Format: 5:4
 - Operating Temp.: -10 ~ 60 °C
- 17,3" Panel**
- Native resolution: 1920x1080
 - Contrast: 1000:1 / Brightness: 400cd/m2
 - Format: 16:9
 - Operating Temp.: -10 ~ 60 °C
- 19,1" Panel**
- Native resolution: 1440x900
 - Contrast: 1000:1 / Brightness: 400cd/m2
 - Format: 16:10
 - Operating Temp.: -10 ~ 60 °C
- 21,5" Panel**
- Native resolution: 1920x1080
 - Contrast: 1000:1 / Brightness: 400cd/m2
 - Format: 16:9
 - Operating Temp.: -10 ~ 60 °C

- 1 USB 3.0 port and 3 USB 2.0 ports. Wifi included Intel N-7260 802.11bgn
- GPIO port (digital inputs and outputs)
- Video output to 2nd VGA and HDMI standard display.
- Graphics card. Integrated HD graphics display core
- Speakers. Dual.
- **Multipoint capacitive touch** screen.
- Bluetooth. Optional.
- Compatible with **Windows 7 / 8 / 10, Linux and Ubuntu** operating systems.
- Dot distance: 0.264 mm Contrast 800:1 / Brightness 400cd/m2
- LED backlight type, use length>5000h Display colour: 16.7 million
- Viewing angle 160/160° (customisable 178° full viewing angle)
- Number of touches ≥ 50 million times
- Power supply 4A. External power adapter
- Power performance 100-240V, 50-60HZ
- **Input voltage 12-36V.**
- **Anti-static contact 4KV-air 8KV**
- **GB2423 anti-vibration standard**
- **Anti-EMC interference EMI** anti-electromagnetic interference
- Ambient temperature <80%, non-condensing. Working temperature -10°C~60°C
- Audio input and output



INSTALLATION METHODS

PRODUCT VALUES

- > Medical touch panel.
- > Touchscreen monitor for indoor use.
- > Resistant to aggressive environments; dust, vibrations, high voltages.
- > Resistant to high temperatures and humidity.
- > Expandable equipment in its configuration: resolution / luminance / touch technology.

MOST COMMON APPLICATIONS

- > Medical treatment.
- > Intelligent medical diagnostic terminals.
- > Self-service auxiliary medical terminals.

SECTORS OF APPLICATION

- > Health sector
- > Hospitals
- > Private clinics
- > Laboratories

SUCCESS STORIES

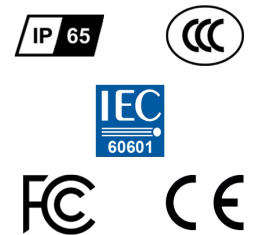
- > Intelligent medical trolleys
- > Mobile X-ray equipment
- > Automatic chemistry analyser
- > Intelligent self-service medical equipment.

ALTERNATIVE REFERENCES

- > ePanel CLOSED
- > eMonitor MD215

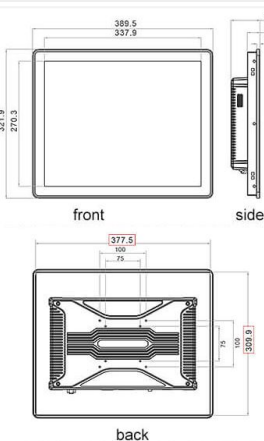


CERTIFICATIONS

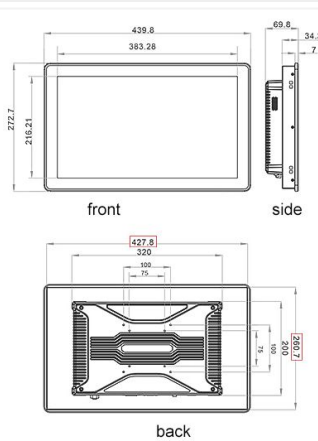


DIMENSIONS

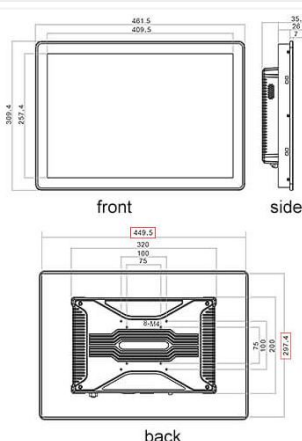
DRAWING 17" PANEL



DRAWING 17,3" PANEL



DRAWING 19,1" PANEL



DRAWING 21,5" PANEL

