

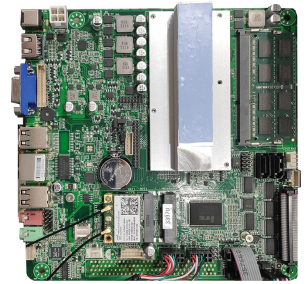


Elevation

Industrial PC INTEL i5 1.8GHZ 3rd generation with 3337u processor (Dual Core / 4 threads).

Rugged fanless computer in black aluminium chassis, with passive cooling system without using fans for total noise elimination.

It has double HDMI and VGA video output for the connection of 2 monitors. Possibility to expand RAM memory to 8GB. Of its 6 COM ports, one of them can be configured with RS232 / RS485 / RS422 protocols.



Indoor

PRODUCT PROFILE

**Direct importer:** Grupo EOS Ibérica SA

- Processor:** Intel 3337U i5 1.8Ghz
- Resolution:** 1920x1080 Mpx
- RAM:** Supports up to 8GB SODIMM DDR3/2800
- ROM:** SSD SATA / SSD MSATA / HDD SATA
- Audio:** 2x Jack 2,5; Loudspeakers / MIC
- Socket:** 1x RAM / 1x SATA / 1x MiniPCIE / 1x mSATA
- Ports:** 8xUSB 2.0/ 1xHDMI/ 1xVGA/ 6x RS232
- LAN:** 1xRJ45
- SO:** Windows 7, 8, 10, Compatible Linux
- Source:** DC100-240V AC input / DC12V/6A output
- Consume:** ~ 15-30 wattios
- Vibration:** Highly resistant to vibrations.
- Humidity:** 0% ~ 90% (non-condensing)
- Operating temp.:** -10°C~70°C
- Storage temp.:** -20°C~85°C
- Guarantee:** 1 Year (Extendable up to three years).

OTHER TECHNICAL DATA

- Type of Anchorage:** Embedded yes, VESA no, RACK no.
- Processor Frequency:** Minima 1.8Ghz, maximum 2.7Ghz.
- Graphic:** Integrated Intel HD4000, Supports DVMT, Double output HDMI/ VGA
- RAM:** 0 Gb on Board + 1 Socket SODIMM/1,35v (4/8Gb)
- ROM:** SSD SATA / SSD MSATA (120, 240Gb) / HDD SATA (500Gb, 1Tb) \* Other capacities on request.
- Audio:** Realtek HD ALC662 Line-out y MIC
- LAN:** Realtek RTL8111DL 10/100/1000Mbps. Wake on Lan.
- IP Protection:** IP50. Dust ingress cannot be prevented, but it must not enter in such a quantity as to interfere with the proper functioning of the equipment. No water protection.
- Watertight box:** For higher IP protection (OPTIONAL).
- Wireless:** Mini PCI Express Intel 7260BN. WiFi 802.11 b/g/n (OPTIONAL)
- GPS:** Mini PCI Express u-Blox pci-5s-1 - 500. (OPCIONAL)
- 3G/GPS:** Mini PCI Express Huawei EM770w. (OPTIONAL)
- 4G/GPS:** Mini PCI Express Huawei ME909u-521. (OPTIONAL)
- Dimensions:** 234 x 200 x 53 mm (LxWxH)
- Weight:** 2'5 Kg
- Packing:** Single Box; PC, Power Supply, Power Cable, Drivers.

PORTS I/O



Front



Back

CONNECTIVITY OPTIONS

- WiFi module:** Intel 633ANHMW
- WiFi antenna:** Yes
- Connecting cable:** Yes
- SMA extension:** Optional
- GPS module:** u-Blox pci-5s-1-500
- GPS antenna:** Yes
- Connecting cable:** Yes
- SMA extension:** Optional
- 4G/GPS module:** ME909u-521
- 4G/GPS antennas:** Yes
- Connecting cable:** Yes

PRODUCT VALUES

- > Dual video output.
- > Resistant to aggressive environments; dust, grease, vibrations.
- > Resistant to extreme temperatures and humidity.
- > Expandable equipment in its configuration, up to 8gb of RAM memory.
- > Possibility of Wifi or 4G / GPS connection.
- > Very low power consumption.
- > Significant number of USB / COM connections.

MOST COMMON APPLICATIONS

- > Interactive, multimedia kiosks
- > Self-pay, unattended kiosks
- > Industrial control systems (ICS)
- > HMI control panels
- > Distributed control systems / SCADA
- > Data acquisition systems (DAQs) > Data acquisition systems (DAQs)
- > Integration in electrical panels
- > Factory assembly lines
- > Mounting on transport vehicles > Wireless station (Wifi/4G)
- > Wireless Station (Wifi/4G/GPS)
- > Outdoor advertising and digital signage.

MOST COMMON SECTORS

- > Kiosk industry
- > Aerospace
- > Automotive
- > Data Centers
- > Distribution
- > Marine
- > Pharmaceutical Industry
- > Transport and Logistics
- > Meat Industry
- > Fishing Vessels
- > Shipyards

SUCCESS STORIES

- > Motorway payment terminal integration
- > Unattended kiosks queue management
- > Factory-floor assembly

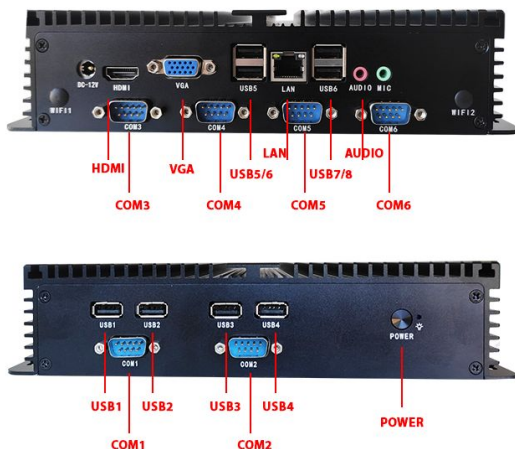
ALTERNATIVE REFERENCES

- > Industrial Pc i5 3317u-4gb
- > Industrial Pc i5 6200u
- > Panel pc industrial i5 4200u

CERTIFICATIONS



CONNECTIONS



DIMENSIONS

